

SUBMITTAL SHEET

JOB NAME		ITEM TAG
JOB LOCATION		PART NUMBER
CONTRACTOR	DATE	
ENGINEER APPROVAL	DATE	

BALANCING VALVE

S-439

- 400 W.O.G.
- SCREWDRIVER - SLOT OPERATOR
- 100% BUBBLE - TIGHT SHUTOFF
- Working Pressure, Non Shock (PSI)**
- Cold working pressure (CWP): 400 CWP
- Saturated steam (WSP): 150 W.S.P.



Pictured S-439

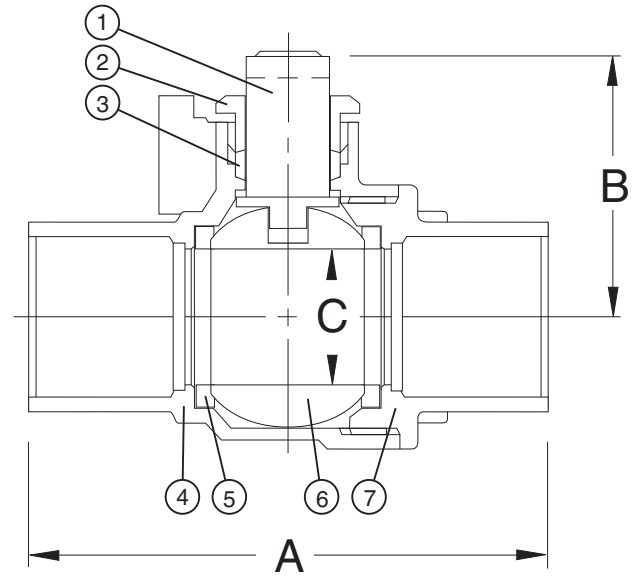
MATERIAL SPECIFICATION

PART	MATERIAL	SPECIFICATION
1 Stem	Brass	ASTM B16 UNS C36000
2 Stem gland screw	Brass	ASTM B16 UNS C36000
3 Stem packing	PTFE	Doupont Teflon
4 Body	Forged brass	ASTM B124 UNS 37700
5 Seats (2)	PTFE	Doupont Teflon
6 Ball	Brass	ASTM B16-C36000
7 End adapter	Forged brass	ASTM B124 UNS 37700

*Teflon is a registered trademark of DUPONT

DIMENSIONS

Size	A	B	C
1/2"	1.90	0.98	3.07
3/4"	2.62	1.04	1.42
1"	3.07	0.60	0.80



Pictured S-439 Cut-away